

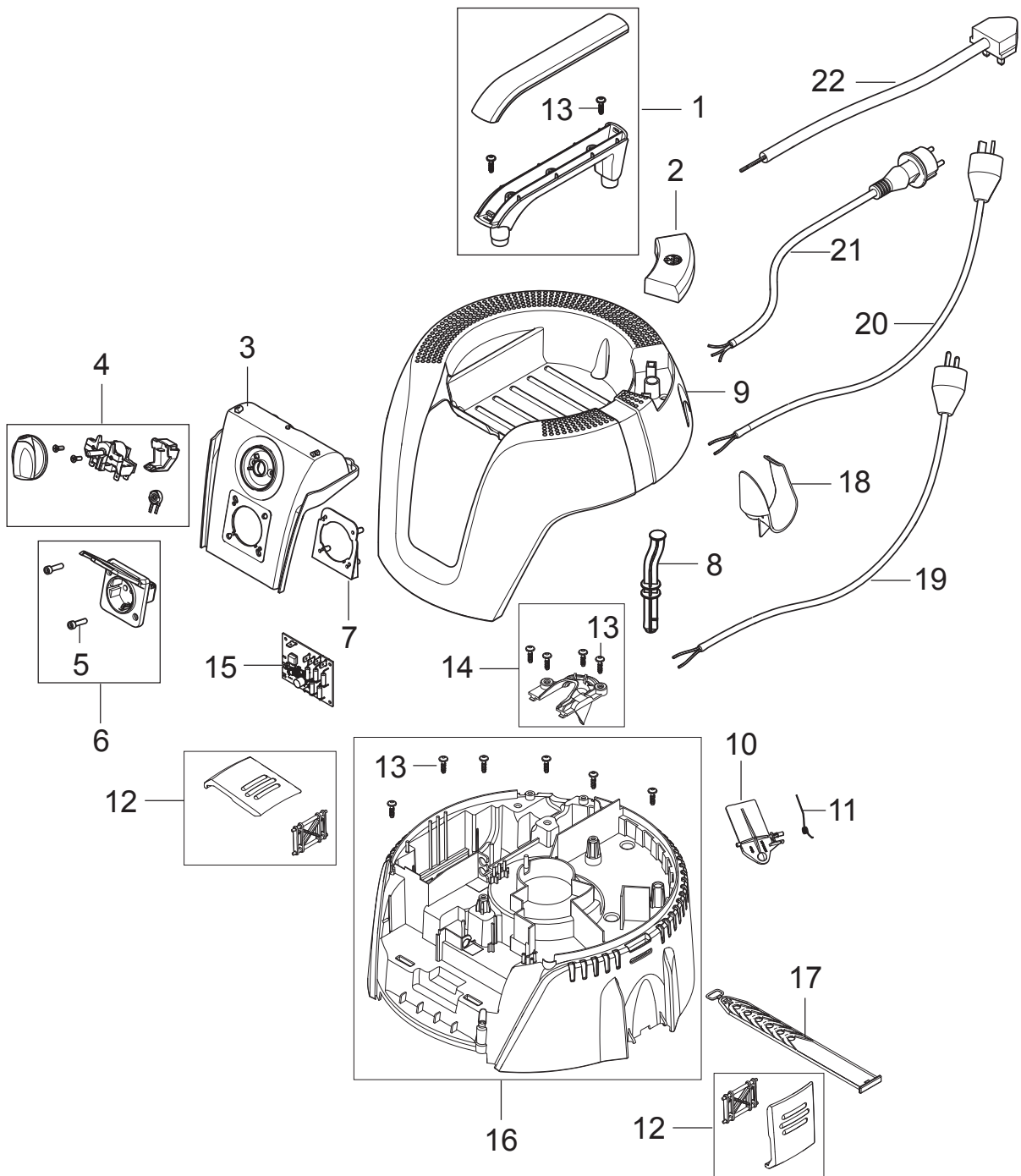
PARTS LIST



2018.02.06

TABLE OF CONTENTS

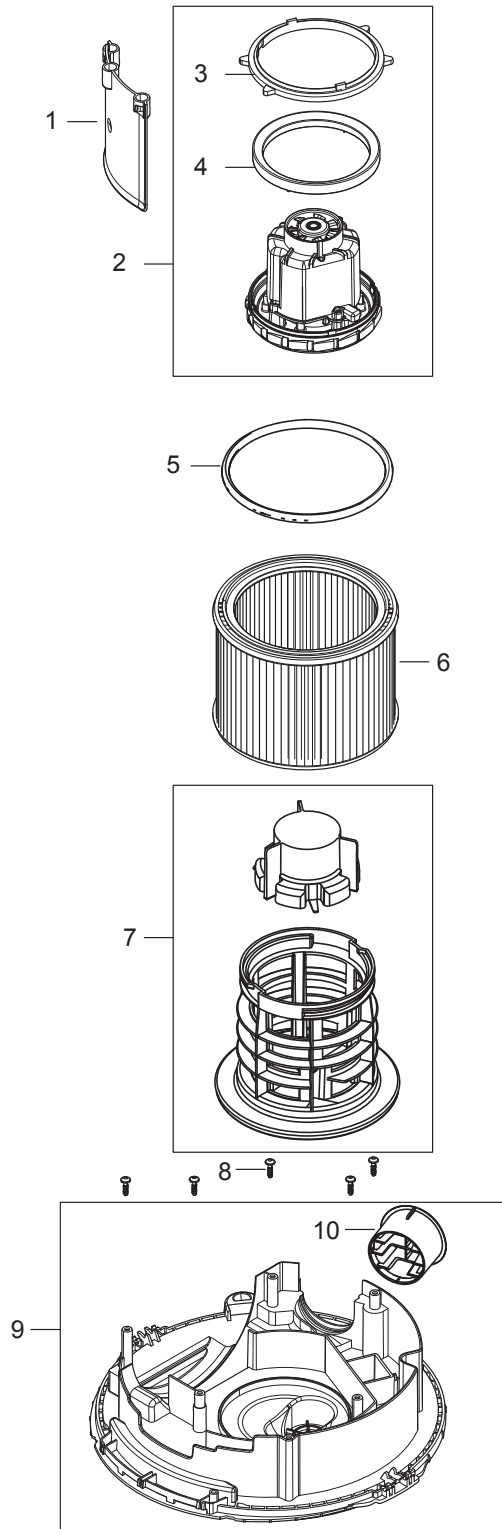
AERO 26-2L PC top	1
Filter and motor	3
AERO container 25L	5
AERO 26,31 Accessories	7
Recommended spare parts	9



Pos.	Código de stock	Cant.	Descripción	Notes
1	107409137	1	Empuñadura	
2	107409138	1	PULSADOR LIMPIEZA PC	
3	107409146	1	INTERRUPTOR	
4	107409156	1	INTERRUPTOR	
5	302004032	2	SCREW PT35X18	
6	107400059	1	Caja de enchufe CH	
6	302004034	1	CLAVIJA 16A/250V EU	
6	302004338	1	SOCKET 15A/125V US/CSA	
6	302004336	1	CLAVIJA 13A/250V GB	
6	302001185	1	SOCKET 10A/250V AU	
7	302002052	1	Soporte	
8	107409141	1	PC ROD	
9	107409145	1	AERO HEAD COVER 26-2L	
10	107409129	1	KIT PLACA FLAP	
11	909100083	1	ANILLO DE TORSION 9X18X45	
12	107409130	2	ABRAZADERA	
13	302003704	9	SCREW EJOT DELTA PT50X18WN1451	
14	107409125	1	CABLE OUTLET	
15	107409190	1	PLACA REGULADOR VELOCIDAD 220V	
16	107409149	1	CLAMPING PLATE	
17	107409131	1	RUBBER STRAP	
18	107409982	1	GANCHO AERO 26/31	
19	107409133	1	CABLE 8.4M 3X1.5	[1]
19	302002391	1	POWERCORD H05VV-F 3G1.5X5.7M A	[2]
20	61132	1	POWERCORD H05VV-F 3G1.0X5.7 SN	[3]
21	107409178	1	POWER CORD US	[4]
22	61129	1	POWER CORD H05VV-F3G1.5X5	[5]

Part Notes:

- [1] - Orange
- [2] - AU/NZ
- [3] - CH
- [4] - US 120V 60Hz
- [5] - UK 230V 50Hz

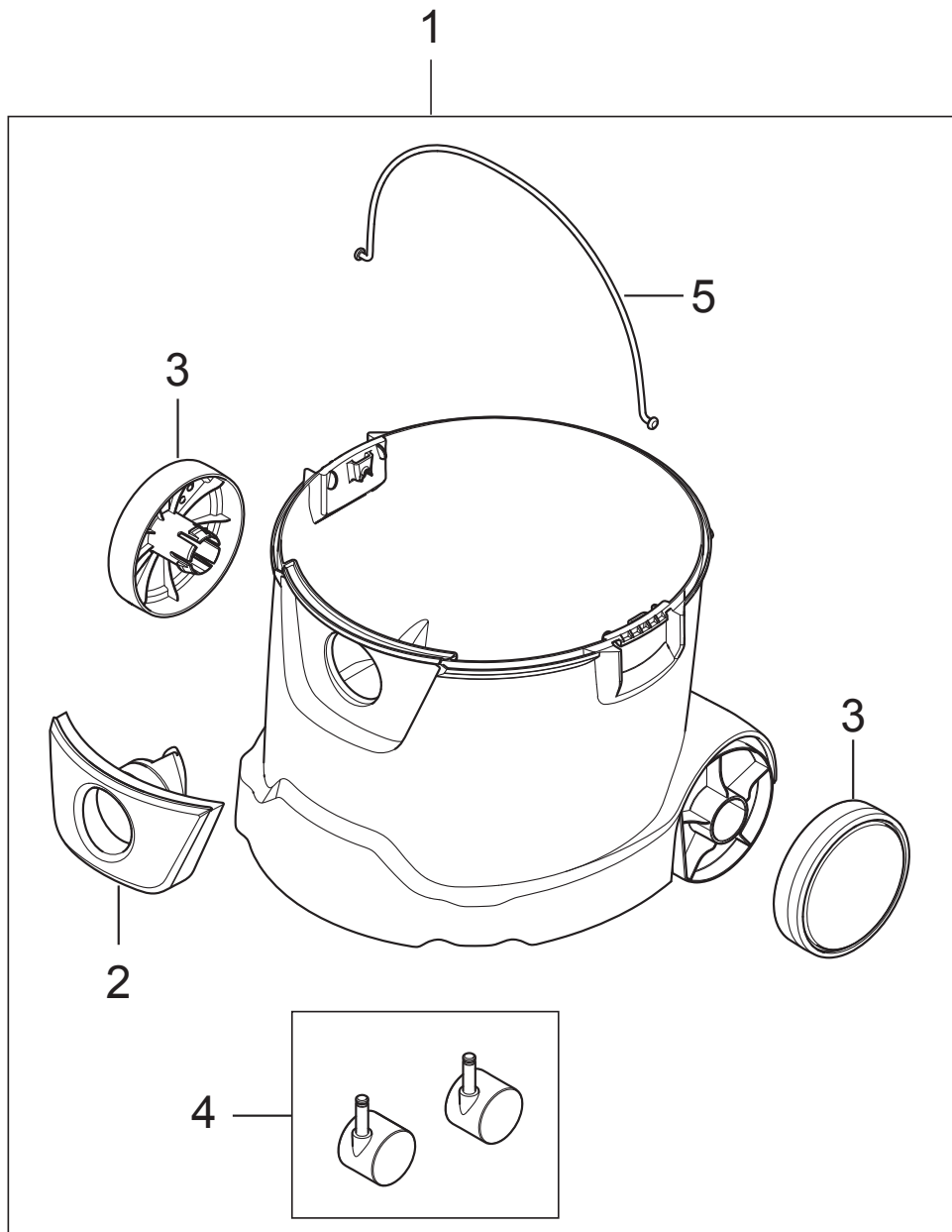


Pos.	Código de stock	Cant.	Descripción	Notes
1	107409159	1	Deflector	
2	107410825	1	KIT MOTOR 1200W 230V/50-60	[1]
2	107409160	1	MOTOR 230V	
2	107409162	1	MOTOR KIT 1000W 110-120V/50-60HZ	
2	107412971	1	MOTOR 1200W 100V 50/60HZ JP	[2]
3	107409163	1	JUNTA SUPERIOR MOTOR	
4	107409164	1	JUNTA INFERIOR MOTOR	
5	107409165	1	JUNTA FILTRO	
6	302000490	1	FILTRO CARTUCHO LAVABLE	
7	107402646	1	SOPORTE FILTRO ATTIX/AERO	
8	302003704	6	SCREW EJOT DELTA PT50X18WN1451	
9	107409166	1	PLACA BASE	
10	107409167	1	Postizo	

Part Notes:

[1] - AERO 26-2L

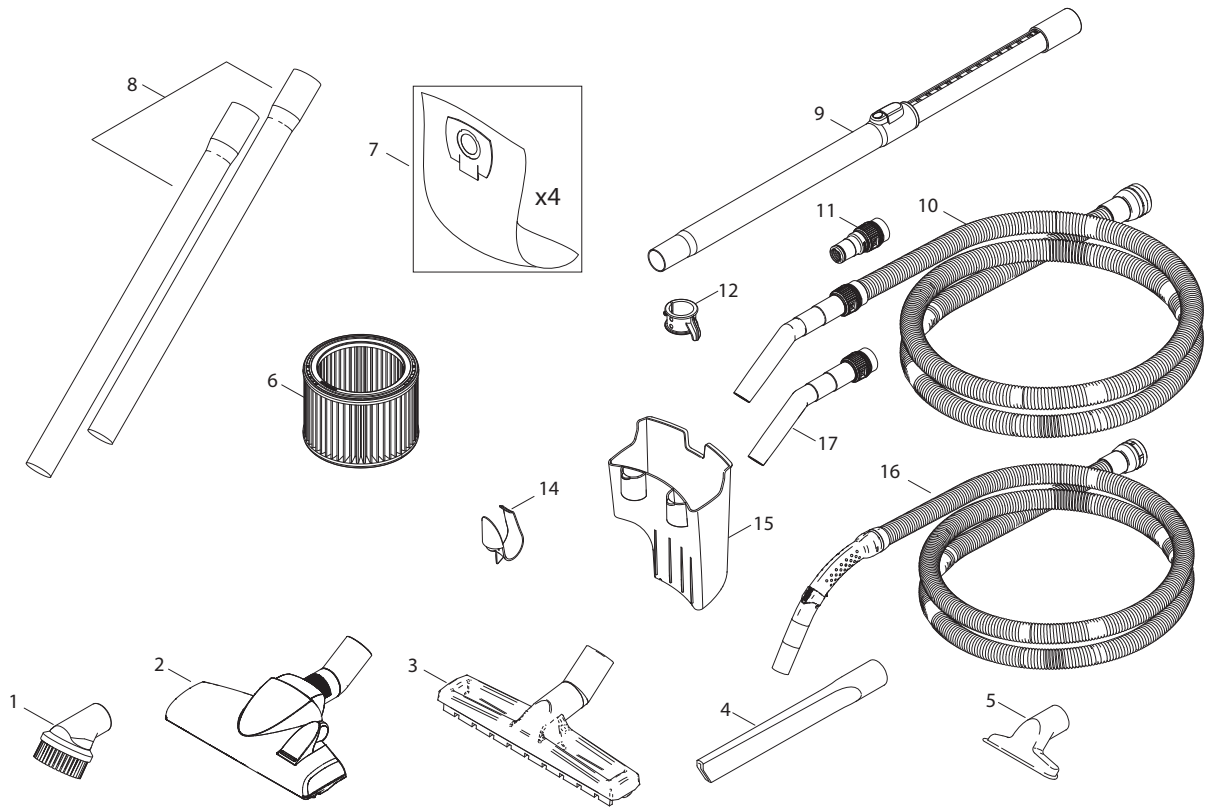
[2] - JP 50/60Hz



Pos.	Código de stock	Cant.	Descripción	Notes
1	107409175	1	CONTENEDOR AERO 25L	
2	107409169	1	Pieza de acople	
3	107409170	2	Rueda	[1]
4	140 6422 500	1	LINK RUEDAS KIT	
5	107409171	1	ASA CONTENEDOR	

Part Notes:

- [1] - TSB-LI-VAC-2015-001 AERO 21-26-31 wheel
DE TSB-LI-VAC-2015-002 AERO 21-26-31 Rad



Pos.	Código de stock	Cant.	Descripción	Notes
0	107412600	1	BOX AERO 26 X10	
0	107412602	1	BOX AERO 31 10X	
1	107407312	1	BOQUILLA CEPILLO D32	
1	302002509	1	CEPILLO REDONDO D36	
2	302002365	1	BOQUILLA COMBI AERO D36X260	
3	107402706	1	BOQUILLA SUELOS D36	
3	107407310	1	BOQUILLA AGUA D32	
3	107407311	1	BOQUILLA SUELO D32	
4	107407334	1	BOQUILLA BISELADA D32	
4	29541	1	BOQUILLA BISELADA	
5	14295	1	BOQUILLA TAPICERIAS D36X115	
6	302000490	1	FILTRO CARTUCHO LAVABLE	
7	302002404	1	BOLSAS AERO 4 UDS	[1]
8	107400032	1	KIT TUBOS ALUMINIO D36 2X500	
8	302000529	1	TUBOS EXTENSION D36X505	
8	40696	1	TUBO PLASTICO D36 2X500MM	
9	107402654	1	TUBO TELESCOPICO D36 575-930MM	
9	107402705	1	TELESCOPIC TUBE PLAST.-KI	[2]
10	107409976	1	MANGUERA UNIVERSAL D32X3500MM	
11	107409977	1	ADAPTADOR DE HERRAMIENTAS D32	[3]
12	107410888	1	TUBEHOLDER KIT 37MM	
12	107409979	1	Soporte	
14	107409982	1	GANCHO AERO 26/31	
15	107409980	1	CAJA HERRAMIENTAS AERO 26/31	
16	107406115	1	MANGUERA COMPLETA D32X3500	[3]
16	107405599	1	MANGUERA ASP D32X2500 CPL	[3]
16	107418980	1	MANGUERA D32X3500 C/ADAPTADOR	[4]
16	107407308	1	MANGUERA COMPLETA D32X1900	
17	107413340	1	KIT TUBO CURVADO	[3]

Part Notes:

- [1] - TSB-LI-VAC 2017-02 - AERO filter bags
DE TSB-LI-VAC 2017-02 AERO-Filtersäcke Materialänderung
- [2] - ITEM NO LONGER AVAILABLE
- [3] - TSB-LI-VACS-2017-01 - AERO+ATTIX hose
DE TSB-LI-VACS-2017-01 AERO+ATTIX Click-System Saugschlauch
- [4] - Include hose and adapter 107409977

Pos.	Código de stock	Cant.	Descripción	Notes
1	107400032	1	KIT TUBOS ALUMINIO D36 2X500	
2	107400059	1	Caja de enchufe CH	
3	107402646		SOPORTE FILTRO ATTIX/AERO	
4	107402654	1	TUBO TELESCOPICO D36 575-930MM	
5	107402705	1	TELESCOPIC TUBE PLAST.-KI	[1]
6	107402706	1	BOQUILLA SUELOS D36	
7	107404540	1	SWITCH 0-1 DOUBLE POLE SE	
8	107404542	1	CONDENSADOR CAPACITIVO	
9	107405599	1	MANGUERA ASP D32X2500 CPL	
10	107405600	1	MANGUERA ASP D32X1900 CPL	
11	107406115	1	MANGUERA COMPLETA D32X3500	
12	107407310	1	BOQUILLA AGUA D32	
13	107407311	1	BOQUILLA SUELO D32	
14	107409130	1	ABRAZADERA	
15	107409131	1	RUBBER STRAP	
16	107409133	1	CABLE 8.4M 3X1.5	
17	107409135	1	INTERRUPTOR SELECTOR	
18	107409190	1	PLACA REGULADOR VELOCIDAD 220V	
19	107409188		PCBA CHAMELEON 21 EA 230V	
20	107409190	1	PLACA REGULADOR VELOCIDAD 220V	
21	107409156	1	INTERRUPTOR	
22	107409160	1	MOTOR 230V	
24	107409162		MOTOR KIT 1000W 110-120V/50-60HZ	
25	107409163	1	JUNTA SUPERIOR MOTOR	
26	107409164	1	JUNTA INFERIOR MOTOR	
27	107409165	1	JUNTA FILTRO	
28	107409190	1	PLACA REGULADOR VELOCIDAD 220V	[2]
29	107409976	1	MANGUERA UNIVERSAL D32X3500MM	
30	107409977	1	ADAPTADOR DE HERRAMIENTAS D32	
31	107409978	1	KIT SOPORTE TUBO TELESCOPICO	
32	107409979	1	Soporte	
33	140 6422 500	1	LINK RUEDAS KITWHEELS LINK 50MM	
34	14295	1	BOQUILLA TAPICERIAS D36X115	
35	29541	1	BOQUILLA BISELADA	
36	302000490	1	FILTRO CARTUCHO LAVABLEFILTER ELEMENT 185X140 PET M-CLASS	
37	302000529	1	TUBOS EXTENSION D36X505	
38	302000692	1	POWER CORD H07BQ-F3G1.5X8.2 CE	
39	302000882	1	POWER CORD SJTW-A AWG16/3X8.2 US	
40	302001185	1	SOCKET 10A/250V AU	
41	302002052	1	Soporte	
42	302002365	1	BOQUILLA COMBI AERO D36X260	
43	302002394	1	CABLE 2X0.75X5.7	
44	302002404	1	BOLSAS AERO 4 UDSFILTER BAG AERO 4 PCS	
46	302004034	1	CLAVIJA 16A/250V EU	
45	302002509	1	CEPILLO REDONDO D36	
47	302004336	1	CLAVIJA 13A/250V GB	
48	302004338	1	SOCKET 15A/125V US/CSA	
49	40696	1	TUBO PLASTICO D36 2X500MM	
50	60902	1	POWER CORD H05VV-F 2X0.75X5.7A	
51	61130	1	POWERCORD H05VV-F 3G1.5X5.7M C	
52	909100083	1	ANILLO DE TORSION 9X18X45	

Part Notes:

- [1] - ITEM NO LONGER AVAILABLE
[2] - AERO 26-2L PC ONLY

